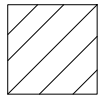
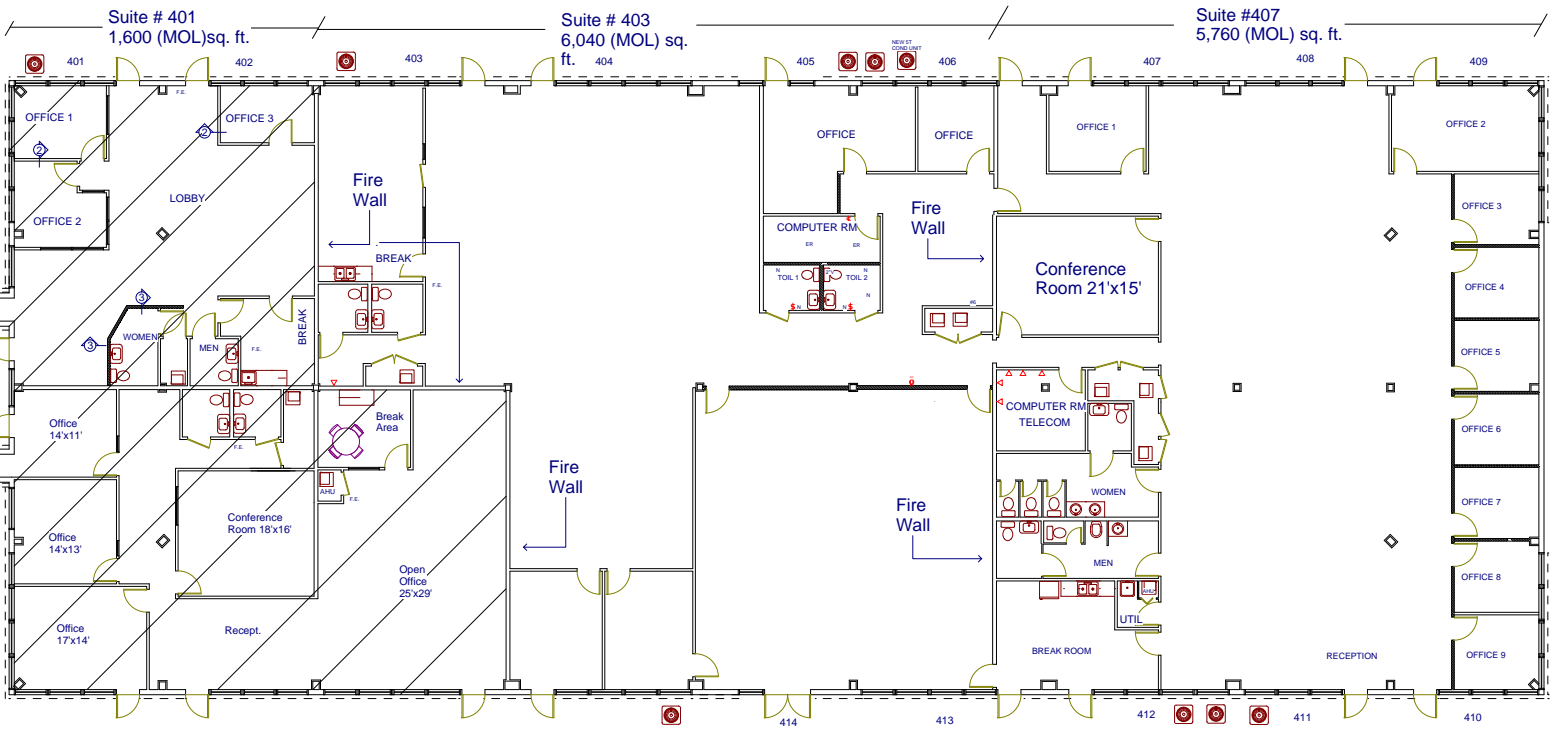


Exhibit "D"



Showing portion of building (approximately 4,200 sq. ft.)
not included in the Lease, the balance of the building
with out the cross lines (approximately 11,800 sq. ft.) is
what is being called the Premises.



Suite # 416
2,600 (MOL)sq.ft.

AIRPORT BUSINESS CENTER ,
Building 400, 4770 140th Ave. No.,
Clearwater, Fl. 33762

16,000 sq. ft. (MOL)-
entire building

Plan Date - 1-26-10

This floor plan is for
conceptual purpose only
and is not to scale.